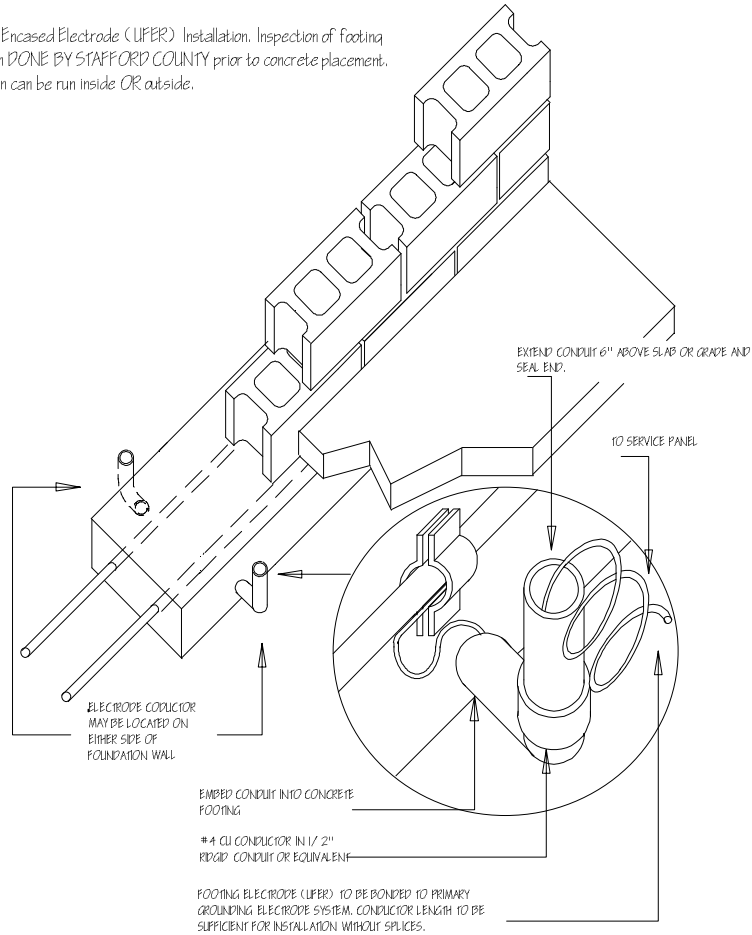


OPTION #1

Concrete Encased Electrode (UFER) Installation. Inspection of footing connection **DONE BY STAFFORD COUNTY** prior to concrete placement. Connection can be run inside **OR** outside.

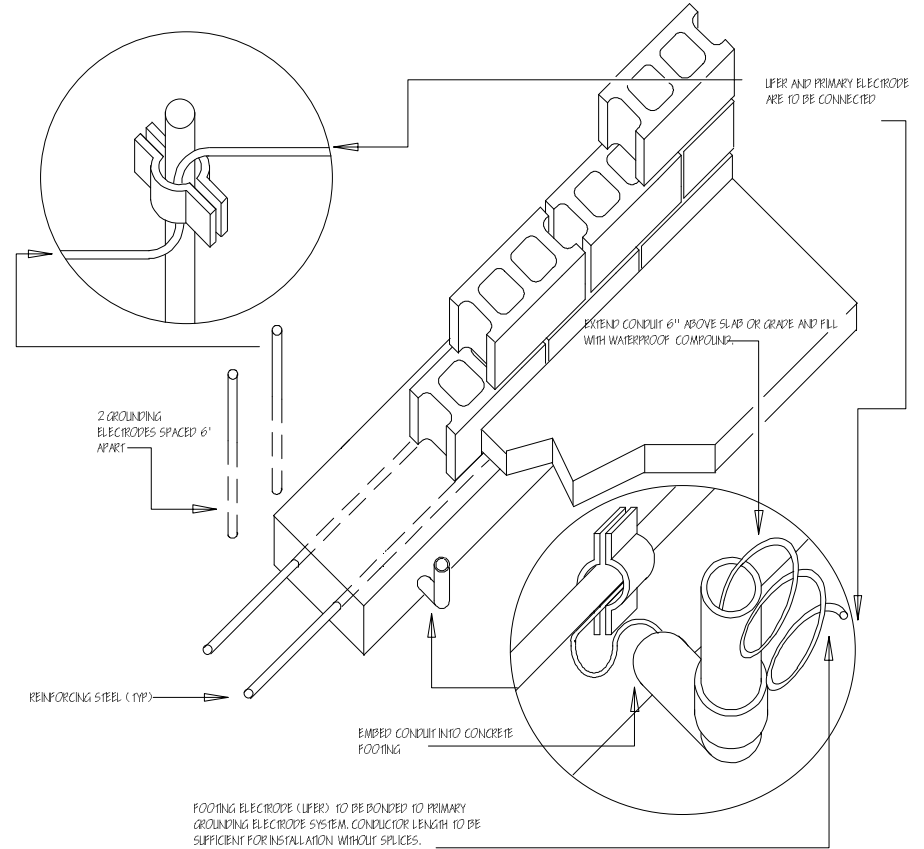


OPTION #2

Concrete Encased Electrode (UFER) Installation. Inspection of footing connection **NOT DONE** by STAFFORD COUNTY prior to concrete placement. UFER may occur outside or inside of foundation wall.



Stafford County
Department of Public Works
Building Permits and Inspections



When a footing is installed incorporating 20 or more of reinforcing steel, a UFER must be incorporated into the grounding electrode system by code. If UFER is inspected by Stafford County prior to pouring the footing as shown in option #1, a supplementary grounding electrode system as shown in option #2 is not required. Because of the importance of the grounding electrode system, if the UFER connection is not inspected by Stafford County a supplemental system as shown in option #2 must be installed and inspected by Stafford County.

IF STAFFORD COUNTY IS TO CONDUCT THE UFER INSPECTION A (502) ELECTRICAL/ STEEL BONDING INSPECTION IS REQUIRED. IF STAFFORD COUNTY DOES NOT PERFORM THE (UFER) INSPECTION THE (502) INSPECTION WILL BE WAIVED AT THE TIME OF THE (501) PERMANENT METER INSPECTION AND THE DRIVEN GROUNDING ELECTRODES WILL BE VERIFIED AT THAT TIME.