

Typical Carport Enclosure Details

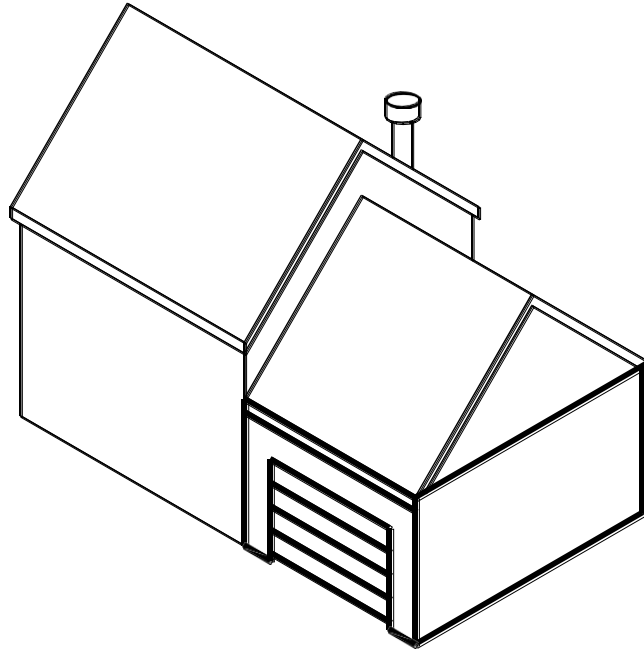
Based on the 2018 Virginia Residential Code



Carports enclosed into one-story garages or living spaces must be constructed in conformance with these details. For requirements, details and information not contained herein, you must consult the Virginia Residential Code. Code books may be viewed [online](#) or purchased from the International Code Council at iccsafe.org. A copy of this document is required to be on the job site and available to the inspector during each inspection.

Typical Carport Enclosure Details

CONTENTS



| | |
|---|----------|
| Section 1 General Notes..... | 3 |
| Section 2 Emergency Escape and Rescue..... | 3 |
| Section 3 Foundation and Floor..... | 4 |
| Foundation requirements..... | 4 |
| Floors..... | 4 |
| Section 4 Wall Construction | 5 |
| Studs..... | 5 |
| Headers..... | 5 |
| Finishes and Sheathing | 6 |
| Section 5 Energy Compliance | 6 |
| Section 6 Plumbing..... | 7 |
| Section 7 Electrical..... | 7 |

1. GENERAL NOTES

1. Living spaces shall have an area of not less than 70 square feet and shall not be less than 7 feet in any direction.
2. Ceiling height shall not be less than 7 feet above the finished floor. Beams, girders, ducts or other obstructions may project to within 6 feet 4 inches of the finished floor.
3. A smoke alarm shall be installed in a new bedroom and within the vicinity of the bedroom. New smoke alarms shall be interconnected so that when one is activated all will sound. Smoke alarms must be hardwired with a battery backup (if adding a bedroom and the house is equipped with a gas-fired appliance, a carbon monoxide alarm is highly recommended to be installed in the vicinity of the bedroom).
4. Doors between an attached garage and adjacent living areas must be a 1 $\frac{3}{8}$ -inch solid wood or steel core door or a 20-minute fire-rated door.
5. Walls between attached garage and adjacent living space shall have not less than $\frac{1}{2}$ inch gypsum board or equivalent applied to the garage side. Window openings and combustible siding such as vinyl is not permitted.

2. EMERGENCY ESCAPE AND RESCUE

Where required. An emergency escape and rescue opening in the form of a window or door to the outside is required for a new bedroom.

Opening requirements. The emergency escape and rescue opening shall meet the requirements below.

- See FIGURE 1 for typical window opening requirements.
- All doors and windows must be operable from the inside without the need of a key or tool.
- The opening must be a minimum of 5.0 square feet.
- Windows must have a sill 44 inches or less above the finished floor.

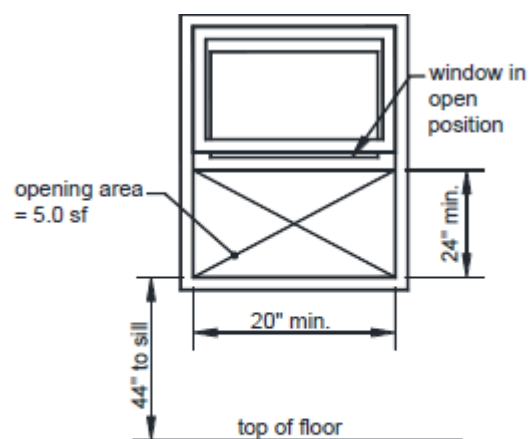


FIGURE 1: EMERGENCY ESCAPE AND RESCUE OPENING

3. FOUNDATION AND FLOOR

FOUNDATION REQUIREMENTS

All exterior walls enclosing a carport must be supported on continuous concrete footings 24 inches deep. See FIGURES 2 through 4. See FIGURE 6 and Page 6 for slab insulation requirements when enclosing a carport into a living space.

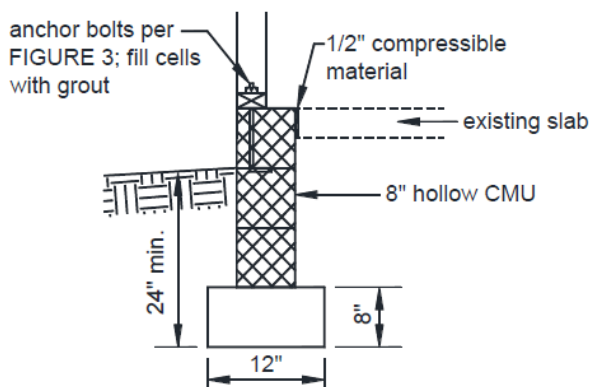


FIGURE 2: CMU FOUNDATION OPTION

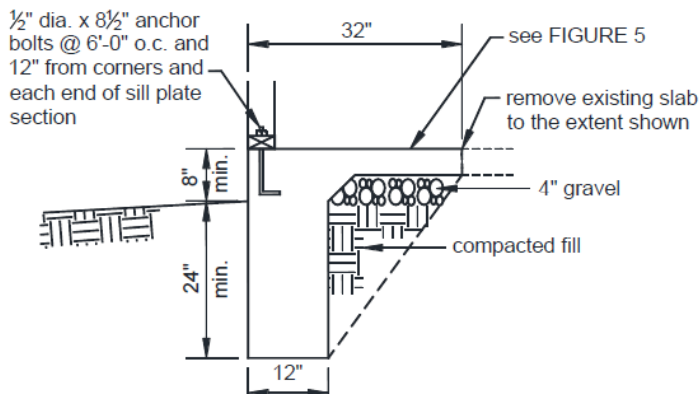


FIGURE 3: TYPICAL FOOTING/SLAB DETAIL

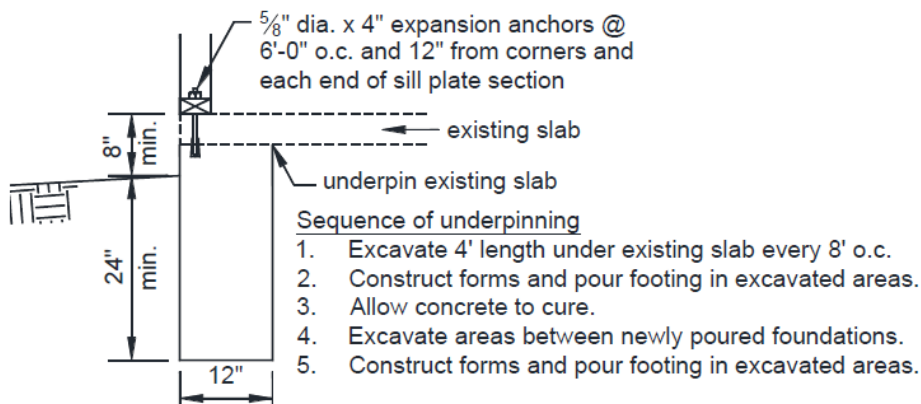


FIGURE 4: TYPICAL UNDERPINNING DETAIL

FLOORS

When converting a carport to a garage, the floor must slope towards the garage door. All new slabs associated with a carport enclosure must have a concrete compressive strength of 3,500 pounds per square inch. See FIGURE 5 for more information. Built up floors must meet the requirements shown in FIGURE 6. Apply a waterproofing sealant to the top surface of all slabs in a carport converted to a living space.

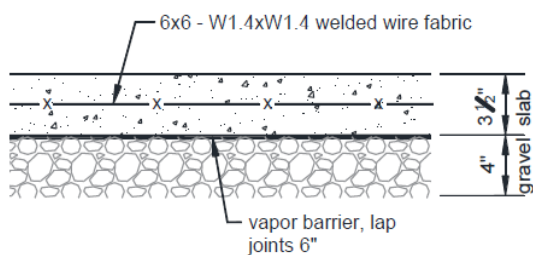


FIGURE 5: TYPICAL NEW SLAB-ON-GRADE

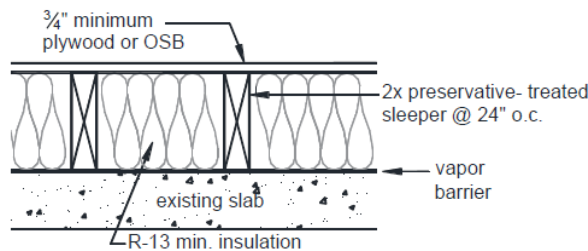


FIGURE 6: TYPICAL BUILT-UP FLOOR

4. WALL CONSTRUCTION

STUDS

Studs may be utility grade or better, spaced at 16 inches on center (a 24-inch spacing is permitted for gypsum board finishes) and fastened per TABLE 1. Walls shall have a single pressure treated bottom plate and a double top plate. Studs in non-load bearing walls may be notched or drilled in accordance with FIGURE 7.

TABLE 1: FASTENING SCHEDULE

| CONNECTION | NAILING METHOD | FASTENER |
|--|----------------|--|
| Top plate or bottom plate ¹ to stud | Toe nail | 3-16d box (3½" x 0.135") or 4-8d box (2½" x 0.113") |
| | or end nail | 3-16d box (3½" x 0.135") or 2-16d common (3½" x 0.162") |
| Bottom plate to floor | Face nail | 16d concrete nail (3½" x 0.135") @ 16"o.c. |
| Header to jack stud (see FIGURE 8) | Toe nail | 4-8d (2½" x 0.113") each side of header at each end |

¹Bottom plate fasteners are required to be hot-dipped galvanized.

HEADERS

Headers shall be framed per FIGURE 8 and sized per TABLE 2. Two-ply headers shall be fastened together using 16d common (3½" x 0.162") face nails at 16 inches on center or 16d box (3½" x 0.135") face nails at 12 inches on center staggered along the top and bottom edges.

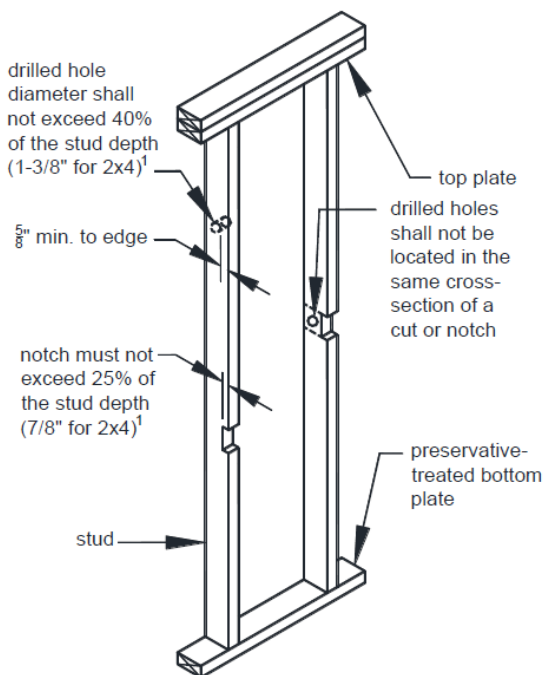


FIGURE 7: DRILLING AND NOTCHING STUDS

¹Interior non-loadbearing studs can have notches up to 40 percent of the stud depth (1½" for 2x4) and drilled holes up to 60 percent of the stud depth (2½" for 2x4)

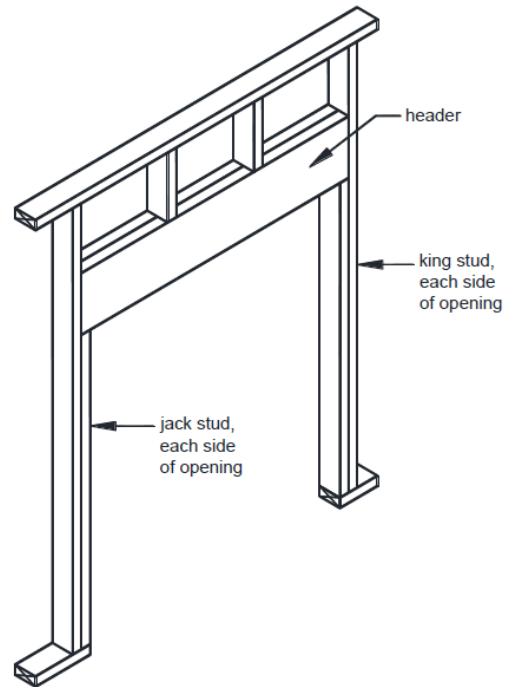


FIGURE 8: FRAMING AT HEADER

FINISHES AND SHEATHING

Interior finishes. Wall and ceiling finish materials must meet the requirements listed below.

- Materials must have a flame spread classification no greater than 200 and a smoke density classification no greater than 450. This does not apply to trim, molding, handrails and doors.
- Wood veneer or hardboard paneling less than ¼-inch shall not be permitted.
- Gypsum board shall be ½-inch minimum.
- In garages, gypsum board must be applied to the walls adjacent living areas.

Exterior sheathing. Exterior walls must be sheathed with 7/16-inch plywood or OSB. Each corner must have 4 feet of solid sheathed panels with no openings for windows or doors. This panel may be offset from the corner a maximum of 10 feet if a door or window is desired near the corners. If enclosing a carport into a garage, each side of a garage door must have a minimum 2-foot solid sheathed panel.

5. ENERGY COMPLIANCE

Carports converted to living space must meet the insulation and fenestration requirements shown in TABLE 3.

TABLE 3: R-VALUES, U-FACTOR AND SOLAR HEAT GAIN COEFFICIENT (SHGC) REQUIREMENTS

| LOCATION | R-VALUE | U-FACTOR | SHGC |
|----------------------------|-----------------|----------|--------------------|
| Window/door | - | 0.35 | 0.40 (window only) |
| Skylight | - | 0.60 | 0.40 |
| Ceiling | 38 | - | - |
| Wall | 15 ² | - | - |
| Built-up floor | 13 | - | - |
| Slab-on-grade ¹ | 10 | - | - |

¹ Insulation must be provided to protect the slab-on-grade from heat loss; see FIGURE 9.

² R-13 wall insulation between the studs plus R-1 continuous insulation on the exterior of the wall may be used in lieu of R-15 wall insulation between the studs.

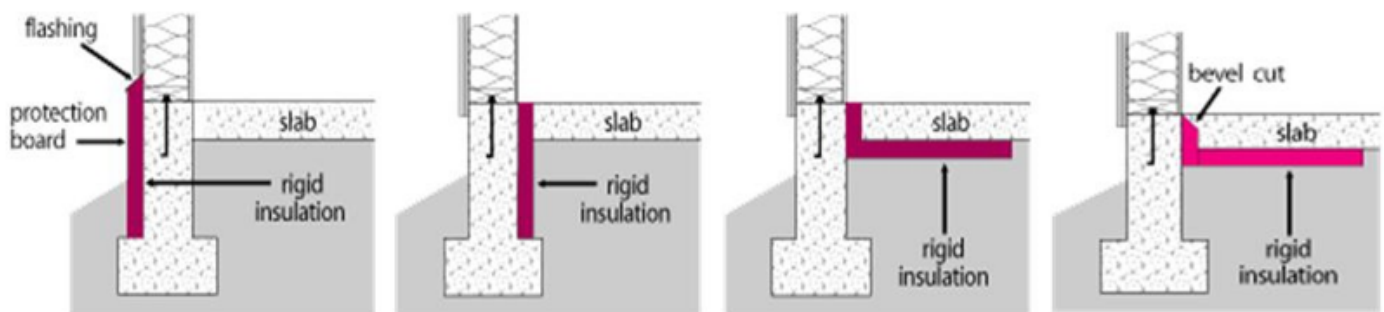


FIGURE 9: SLAB-ON-GRADE INSULATION REQUIREMENTS

(Insulation must extend from the slab edge to a total length of 24 inches vertically and/or horizontally.)

6. PLUMBING

Showers. Showers and shower compartments must meet the following requirements.

- Shower compartments must have a minimum total area of 900 square inches and a minimum dimension of 30 inches in any direction.
- Shower compartments may have a minimum dimension of 25 inches provided it maintains a cross section area of 1,300 square inches.
- Hinged shower doors must open outward.
- All glass enclosing a shower must be safety glazed.
- Shower control valves must be scald resistant (in accordance with ASSE 1016/ASME A112.1016/CSA B125.16) with a hot water limit of 120 degree F.

Fixture Clearances: Toilets, sinks and showers shall have the minimum clearances listed below.

- 21 inches in front of sinks and toilets.
- 4 inches between two adjacent sinks.
- 4 inches between a sink and a wall.
- 15 inches clearance from a toilet's centerline to an adjacent fixture or wall on each side.
- 24 inches in front of shower stall opening.
- 4 inches between a sink and a toilet.
- 2 inches between a sink and a bathtub.

Drain Size: Fixture drain size must meet the dimensions below and must be equipped with a strainer and stopper.

TABLE 4: MINIMUM DRAIN SIZE

| FIXTURE | DIAMETER, INCHES |
|-----------------------------|-------------------------|
| Bathroom sink | 1¼ |
| Bathtubs | 1½ |
| Sinks (other than bathroom) | 1½ |
| Laundry tubs | 1½ |
| Shower | 1½ |

7. ELECTRICAL

Branch circuits. Branch circuits must meet the requirements listed below. See TABLE 5 for more information.

- Use a 15- to 20-ampere rated branch circuit for general use purposes such as lighting and outlets.
- One “plugged-in” electrical device shall not exceed 80 percent of the circuit rating.
- Hardwired appliances or equipment may be included in a general use circuit provided its rating does not exceed 50 percent of the circuit rating.
- Branch circuits which serve bedroom outlets must have circuit breakers equipped as combination arc- fault/over current circuit interrupters.

TABLE 5: BRANCH CIRCUIT REQUIREMENTS

| CIRCUIT ELEMENT | CIRCUIT RATING | | |
|------------------------|----------------|----------|--------|
| | 15 amp | 20 amp | 30 amp |
| Minimum conductor size | 14 | 12 | 10 |
| Maximum breaker size | 15 | 20 | 30 |
| Outlets rating | 15 | 15 or 20 | 30 |
| Maximum load | 15 | 20 | 30 |

Lighting requirements. Lights must meet the requirements listed below.

- At least one switched light shall be provided in each room and hallway. A switched outlet may be substituted, except in bathrooms and hallways. A switched outlet cannot count towards a required outlet.
- At least one switched or pull chain light must be provided in each walk-in closet. Fixtures installed in clothes closets shall be limited to surface or recess mounted, incandescent or LED fixtures with completely enclosed lamps, surface mounted or recessed fluorescent fixtures, and surface mounted fluorescent or LED fixtures specifically listed for closet use. See TABLE 6 for clearance requirements.

TABLE 6: CLOSET LIGHT FIXTURE CLEARANCES TO STORAGE AREA^{1,2}

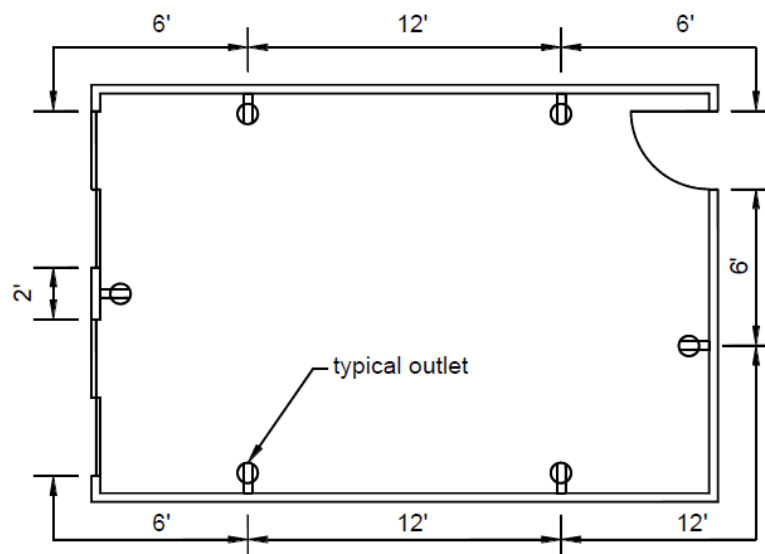
| FIXTURE TYPE | LOCATION | FLUORESCENT BULB, INCHES | INCANDESCENT AND LED BULB, INCHES |
|-----------------|----------------------------|--------------------------|-----------------------------------|
| Surface mounted | Wall above door or ceiling | 6 | 12 |
| Recessed | Any wall or ceiling | 6 | 6 |

¹ Surface mounted fluorescent and LED bulbs are permitted in storage areas when identified and listed for this use.

² Exposed, or partially exposed, incandescent bulbs are prohibited.

Outlets. Outlets must meet the requirements listed below.

- Outlets shall be tamper resistant.
- Outlets shall be placed in accordance with FIGURE 10.
- The minimum wall length which requires an outlet is 2 feet.
- Kneewalls, built-in bars and other fixed room dividers must be included for outlet spacing.
- Outlets installed for specific appliances must be within 6 feet of the appliance location.

**FIGURE 10: TYPICAL OUTLET DISTRIBUTION**